

Auto Sun Tracker Controller



Key Features

- High Accuracy
- 2-axis tracking
- Light Weight
- Easy Deployment
- Continuous monitoring
- Low Cost

Primary Applications

- Sun Tracking

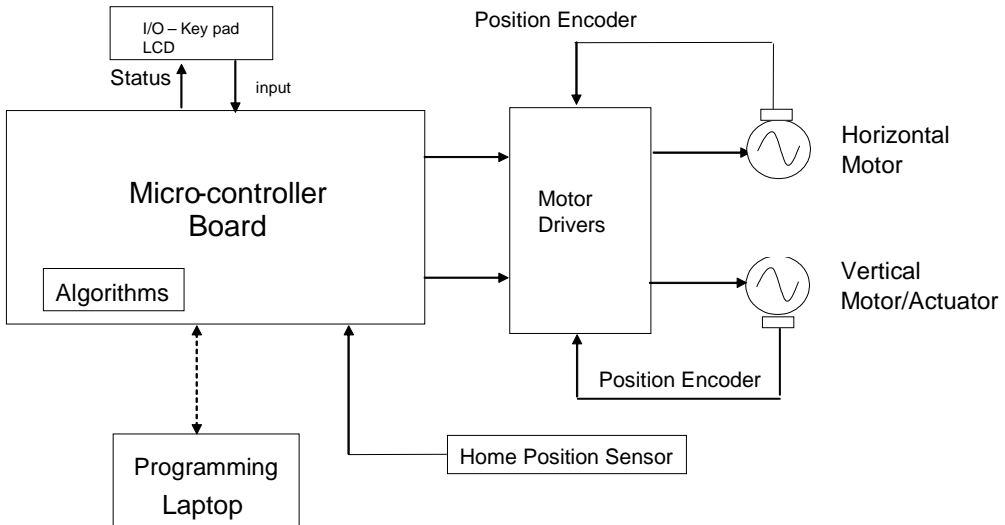
Product Description:

High precision two-axis tracker controller that delivers the accuracy needed to CPV tracking. This controller incorporates several design innovations that dramatically reduce tracking error, thereby maintaining maximum efficiency for concentrated solar energy applications.

The unit is easy to install and operate any where in the world. Built-in key board and LCD display inside the unit provide easy user interface for initial set-up and continuous monitoring and status updates.

Parameter	Value	Units
Tracking Accuracy	0.1	Deg
Tracking Resolution	3.15×10^{-5}	Deg
Step Size	0.0037	Deg
Update Rate	100	Hz
Input Voltage	220	VAC

Auto-Tracker Controller Characteristics



Tracker Inputs

Latitude (deg)	28.501	(negative south, positive north)
Longitude (deg)	-81.531	(negative west, positive east)
Time Zone (from GMT)	-5	(negative west, positive east)
Day Time Saving	1	0 = no, 1 = yes
Set Current Date/Time	1	0 = no, 1 = yes
Year	2009	
Month	2	
Day	10	
Hour	16	
Minute	24	
Second	35	
Collector Axis Tilt (deg)	0	0 default
Collector Axis Rotation (deg)	180	0 = North, 180 = south